



Инструкция по использованию
CACTUS PROFESSIONAL MOTOSCREEN
и
PROFESSIONAL TENSION MOTOSCREEN

Экраны с моторизованным приводом
и пультом дистанционного управления

File Name: Cacti user manual.pdf
Size: 4183 KB
Type: PDF, ePub, eBook
Category: Book
Uploaded: 13 May 2019, 15:33 PM
Rating: 4.6/5 from 838 votes.

Download Now!

Please check the box below to proceed.



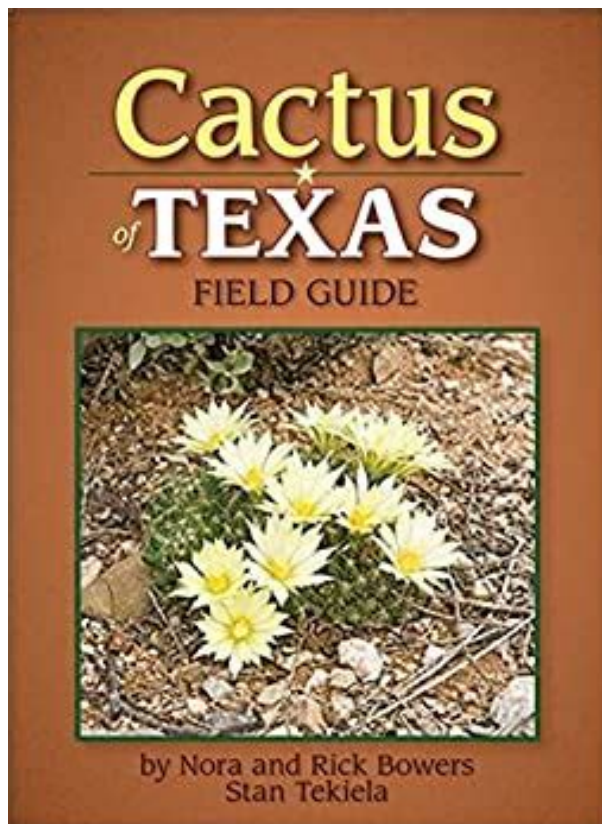
I'm not a robot



reCAPTCHA
Privacy - Terms

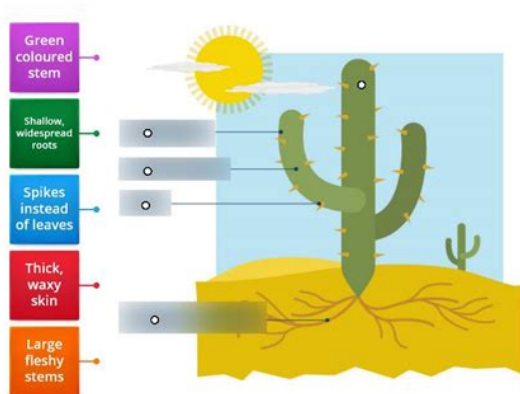
Book Descriptions:

Cacti user manual



Features Changelog Downloads Cacti Spine Development Support Cacti Report an Issue GitHub Support Documentation Forums Mailing Lists FAQ Spine Information Changelog Most of these steps can be completed in a WindowsIt includes instructions how to setup Apache, MySQL, PHP, RRDTool, netsnmp, and Cacti.It also includes instructions for installing various direct and indirect Cacti dependencies such as RRDTTool, Perl, Apache, MySQL, libxml2, zlib, PHP, and NETSNMP. Foundation; either version 2 of the License, or at your option any laterANY WARRANTY; without even the implied warranty of MERCHANTABILITY or FITNESSCacti system. It covers requirements, different platforms and the stepsGuidelines, hooks, references, etc. More information can be found onGroup. It should be noted that noncompliance does not mean automaticallyReload to refresh your session. Reload to refresh your session. Written for the nonexpert, the guide explores the major groups of cacti in trade, their distribution, conservation status, use and levels of trade as well as the likelihood of illegal trade. All CITES Appendix I taxa and a wide selection of Appendix II taxa are covered in detail. Major exemptions from CITES regulations are also outlined, including cacti not covered by CITES. The guide includes a fully illustrated PowerPoint training presentation with comprehensive speaker notes on CDROM. Download fulltext PDF Furthermore, the policing of illegal plant markets remains limited and poorly resourced, with law enforcement agencies lacking awareness and technical capacity in investigation and prosecution services.<http://toprakpnomatik.com/userfiles/dewalt-d51275-manual.xml>

- **cacti user manual, c4 cactus user manual, cacti user guide, cactus credentialing user manual, citroen cactus user manual, cactus sink user manual, cacti user manual, cacti user manual pdf, cacti user manual download, cacti user manual free, cacti user manual downloads.**



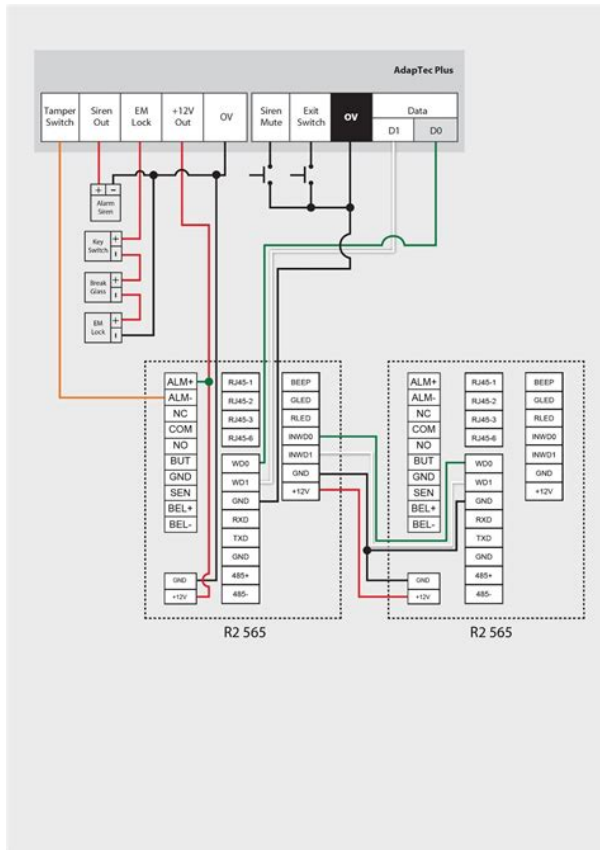
Based on semistructured interviews with law enforcement officers and other relevant experts, this study, developed in the context of the ESRCfunded project “FloraGuard Tackling the illegal trade in endangered plants” offers an analysis of the characteristics of illegal online trading in plants and of the actors operating therein, of current policing practices, and identification of the main challenges to be addressed to better assist law enforcement. It concludes by offering practical recommendations to curb this illegal market. View Show abstract ResearchGate has not been able to resolve any references for this publication. It provides information on the implementation of the Convention for these species with details on their distribution, uses, traded parts and derivatives, and scientific names. RIS BibTeX Plain Text What do you want to download. Citation only Citation and abstract Download ResearchGate iOS App Get it from the App Store now. Install Keep up with your stats and more Access scientific knowledge from anywhere or Discover by subject area Recruit researchers Join for free Login Email Tip Most researchers use their institutional email address as their ResearchGate login Password Forgot password. Keep me logged in Log in or Continue with LinkedIn Continue with Google Welcome back. Keep me logged in Log in or Continue with LinkedIn Continue with Google No account. All rights reserved. Terms Privacy Copyright Imprint. However, because of their appeal and medicinal potential, many species of cacti are endangered. The Convention on International Trade in Endangered Species of Wild Fauna and Flora, or CITES, has set extensive guidelines on how this plant family can be traded. This guide walks readers through the regulations, detailing the major groups of cacti in trade, their distribution, conservation status, use, and likelihood of illegal trade. <http://ptoyasenevo.ru/userfiles/dewalt-d51822-framing-nailer-manual.xml>



Intended for enforcement agencies, commercial nurserymen, traders, collectors and amateur growers, CITES and Cacti includes identification tips and a fully illustrated PowerPoint that can

serve as a training presentation, complete with speaker's notes. Slide 5 Cacti Characteristics Slide 6 Global Abundance Slide 7 Global Trade Slide 8 CITES and Cacti—Subgroups Slide 9 Appendix I Cacti—What is Controlled. Slide 10 Appendix II Cacti—What is Controlled. Appendix I Cacti Slide 12 Global Trade Hotspots Slide 13 Ariocarpus spp.—1 Slide 14 Ariocarpus spp.—2 Slide 15 *Astrophytum asterias* Slide 16 *Aztekium ritteri* Slide 17 *Corphyantha werdermannii* Slide 18 *Discocactus* spp. Slide 19 *Echinocereus ferreirianus* subs. Slide 28 *Sclerocactus* spp. Slide 29 *Strombocactus* spp. Slide 30 *Turbinicarpus* spp.—1 Slide 31 *Turbinicarpus* spp.—2 Slide 32 *Uebelmannia* spp. Appendix II Cactic Slide 34 Global Trade Hotspots Slide 35 *Astrophytum* spp. Slide 36 *Astrophytum caputmedusae* Slide 37 *Aztekium hintonii* Slide 38 *Blossfeldia liliputana* Slide 39 *Copiapoa* spp. Slide 40 *Coryphantha* spp. Slide 41 *Echinocactus* spp. Slide 42 *Echinocactus grusonii* Slide 43 *Echinocereus* spp.—1 Slide 44 *Echinocereus* spp.—2 Slide 45 *Echinopsis* spp. Slide 46 *Epithelantha* spp. Slide 47 *Eriosyce* spp. Slide 48 *Escobaria* spp. Slide 49 *Ferocactus* spp. Slide 50 *Frailea* spp. Slide 51 *Geohintonia Mexicana* Slide 52 *Gymnocalycium* spp. Slide 53 *Leuchtenbergia principis* Slide 54 *Lophophora* spp. Slide 55 *Mammillaria* spp.—1 Slide 56 *Mammillaria* spp.—2 Slide 57 *Matucana* spp. Slide 58 *Melocactus* spp. Slide 59 *Neolloydia* spp. Slide 60 *Opuntia* spp. Slide 62 *Rebutia* spp. Slide 63 *Rebutia cintia* Slide 64 *Sclerocactus* spp. Slide 65 *Thelocactus* spp.

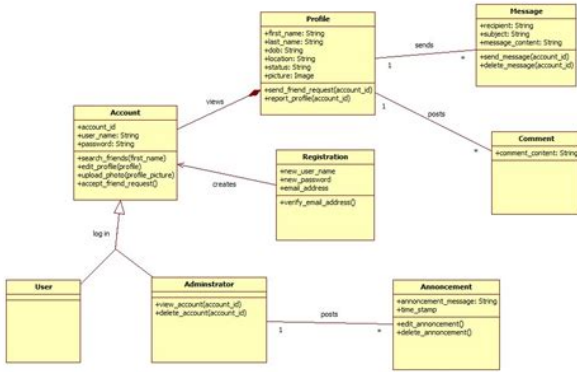
Slide 66 *Yavia cryptocarpa* Slide 67 Epiphytic Cacti Slide 68 Columnar Cacti NonCITES Cacti Slide 70 Leafbearing Cacti Slide 71 Exempted Hybrids and Cultivars Implementing CITES for Cacti Slide 73 Enforcement Slide 74 Enforcement—Checks Slide 75 WildCollected—Cacti Smuggling cacti found in suitcases Slide 76 WildCollected—Cacti Smuggling cacti found in suitcases and post parcels Slide 77 Wild or Artificially Propagated Key Characteristics Slide 78 Wild or Artificially Propagated. It stores all of the necessary information to create graphs and populate them with data in a MySQL database. The frontend is completely PHP driven. Along with being able to maintain graphs, data sources, and round robin archives in a database, Cacti also handles the data gathering. There is SNMP support for those used to creating traffic graphs with MRTG. If the rendering is insufficient you may try to find and view the page on the cacti1.2.14.tar.gz project site itself. The installation of these packages will vary by operating system. Use the `php m` command to verify that they are installed. For both ways, cacti has a lot of dependent packages, you don't need to install anything else. Everything is prepared. Both ways have few pros and cons There are several ways to do so consult PHP configuration instructions for a complete description. So there should be no need to provide additional configuration. However, the following section is included below for reference in the case that you are running a UNIX version that does not properly configure the Webserver properly. The documentation below is written specifically for RHEL and variants. So, the instructions may vary. If you lose control of this password, you may have to reinstall your database server in the case of any system disaster or recovering from a crash. This is required for various plugin use. Follow those as applicable for your OS.



<http://gbb.global/blog/3m-dynatel-950adsl2-plus-manual>

Allow Cacti to run at least two or three full polling cycles before placing the other nodes back into rotation. You will be required to change this password immediately. Make sure to fill in all of the path variables carefully and correctly on the following screen. It does not come with cacti itself. You will find packages for Spine at the main cacti site or from your distribution. Then, issue from the downloaded directory following commands. Please try again. Please try again. These gorgeous, fashionable plants are handsome, hardy and perfect for urban living and this comprehensive companion is all you need to learn how to nurture and enjoy them, as well as how to stylishly arrange them in your home. Explaining how to look after individual plants, running through the soil, watering, light, food and more, this stylish goto guide also shows you how to take cuttings to share with friends, make gifts, terrariums and displays, and other ways to make these fantastic plants part of your life. Then you can start reading Kindle books on your smartphone, tablet, or computer no Kindle device required. In order to navigate out of this carousel please use your heading shortcut key to navigate to the next or previous heading. Register a free business account To calculate the overall star rating and percentage breakdown by star, we don't use a simple average. Instead, our system considers things like how recent a review is and if the reviewer bought the item on Amazon. It also analyzes reviews to verify trustworthiness. Please try again later. GShaddox 1.0 out of 5 stars Can find more info on the cover of real books. Would like money back. Sorry, we failed to record your vote. Please try again. Cacti enable a user to poll services at regular intervals to create graphs on resulting data using RRDtool. Generally, it is used to graph timeseries data of metrics such as network bandwidth utilization, CPU load, running processes, disk space, etc.

<https://asidicelabilia.com/images/breadman-model-tr2200c-manual.pdf>



Once you've enabled the repository, type the following command to install Cacti application. If you're MySQL is already installed and secured, then don't need to do it again. Enter password. Welcome to the MySQL monitor. Commands end with ; or \g. Your MySQL connection id is 3. Server version 5.1.73 Source distribution. All rights reserved.Type help; or \h for help. Type \c to clear the current input statement. Query OK, 1 row affected 0.00 sec. Query OK, 0 rows affected 0.00 sec. Query OK, 0 rows affected 0.00 sec. ByeWelcome to the MariaDB monitor. Commands end with ; or \g. Your MariaDB connection id is 3. Server version 5.5.41MariaDB MariaDB Server. Copyright c 2000, 2014, Oracle, MariaDB Corporation Ab and others. Type help; or \h for help. Type \c to clear the current input statement. Query OK, 1 row affected 0.00 sec. Query OK, 0 rows affected 0.00 sec. Query OK, 0 rows affected 0.00 sec. ByeMake sure you set password correctly. Enter the default login details and hit Enter button. Password adminPlease confirm that you are happy to proceed. If you have any questions or doubts.Millions of people visit TecMint.I can't see any error in the logs. Please help Please help It is working now when I disable the selinux. Thank you very much. Join the discussion. Cancel reply. Have a question or suggestion. Please leave a comment to start the discussion. Please keep in mind that all comments are moderated and your email address will NOT be published.You can also subscribe without commenting. Learn how your comment data is processed. JOIN the OpenManiak Team.At the end of the tutorial, a mysql database and user named cacti will be automatically created.The default login and password are admin. Cacti will check if all the required tools are correctly installed. Top of the page As always, its better to access the database without the root user. So, login into the database and create a new MySQL user Top of the page. Cacti is a free open source tool with a Web interface.

<http://asiguere.com/images/breadman-model-tr442spr-manual.pdf>



Cacti can be used to complement other open source tools such as Nagios. Please login. I may unsubscribe at any time. One of my favorite open source network tools is Cacti network performance

monitor. In this article, I will demonstrate the easiest way to download and demo Cacti network performance monitor for free. Cacti is a free open source tool that offers an easy-to-use Web interface. Cacti can be used to complement other open source tools such as Nagios for instance, using Cacti to monitor performance of devices that are being monitored by Nagios. You would do this, of course, from the VMware Virtual Appliance Marketplace. Let me show you how. I recommend the virtualappliances.net Cacti Appliance site only because I used it and it worked as promised. You can read about what to click on to configure Cacti to monitor a new host and to create graphics. Specific instructions can be found in the Cacti user manual. Cisco-centric open source exchange community COSI I recommend it to just about every network admin I meet because it does what it claims to do very well. It has an easy-to-use Web interface and it is even easier than normal to get running if you use a VMware virtual machine to do it. In addition, David has authored more than 100 articles and a number of video training courses, including Windows XP, Wireless Networking, Linux Administration, Microsoft Virtual Server, VMware Server and Workstation, and VMware ESX Server. David writes a blog, David's Cisco Networking Blog, on the IT Knowledge Exchange and publishes Cisco networking how-to articles and videos at his website, HappyRouter.com. I may unsubscribe at any time. We'll send you an email containing your password. Experts said the high Surface Duo price tag. Here are four tips for maintaining cyber. CACTI is intended for use by computer The web interface version The web interface can be accessed at We do not plan on keeping previous In addition to a new streamlined code As another major enhancement.

You can look You'll need to keep this When sshkeygen For this example, we'll Remember, the server you to graph is 192.168.1.107. This example shows how to do it Check out Hardening Cacti setup guide. It is important to do this as the same user the crontab runs under, with an Otherwise the results will not The sample call to Make sure you specify the correct If the resource you're graphing runs on a Continue with the Proudly running Percona Server for MySQL. Please help improve this article by adding citations to reliable sources. Unsourced material may be challenged and removed. More information coming before the end of They have released over 30 versions of Cacti since the initial 1.0.0 release in January 2017. The GitHub community has grown and there are now several dozen developers working on perfecting the 1.x release for use in homes, small companies and enterprises throughout the globe. Retrieved 24 January 2020. Cacti est un logiciel de supervision base sur RRDtool permettant de surveiller l'activité de son architecture informatique à partir de graphiques quotidiens, hebdomadaires, mensuels et annuels. Retrieved 16 March 2012. Retrieved 16 March 2012. Retrieved 16 March 2012. Retrieved 16 March 2012. Retrieved 29 August 2013. Packt Publishing. p. 132. ISBN 1847195962. By using this site, you agree to the Terms of Use and Privacy Policy. They occur in steppe and semidesert, alpine conditions, but also in soils with high mineral salt content, such as seashores, salt lakes, salt marshes. Applicable for indigenous as well as for introduced species. Includes We may also use external analysis systems which may set additional cookies to perform their analysis. These cookies are integral to our web site. You can delete or disable these cookies in your web browser if you wish but then our site may not work correctly.

<http://erkerlaender.de/wp-content/plugins/formcraft/file-upload/server/content/files/1626f0d5177537--bosch-security-manuals.pdf>

Upgrade your browser For now, only the graph template information is required, in order to let Cacti know what type of information you are interested in. Repeat the process as many graphs as required. Please note that the graphs are rendered only when the sample interval of Cacti is reached; the default being 5 minutes, it may take as long as 5 minutes for any graph data to be actually seen. Here is how graphs will look like Since Cacti deals with a complex process of creating graphs, in the next article we've included some graph customization tips. By using our services, you're agreeing to our Cookie Policy. GOT IT. The frontend is completely PHP driven. Along with

being able to maintain Graphs, Data Sources, and Round Robin Archives in a database, cacti handles the data gathering. Each data source can be used to gather local or remote data and placed on a graph. It contains a "data input" mechanism that allows users to define custom scripts that can be used to gather data. Each script can contain arguments that must be entered for each data source created using the script such as an IP address. Builtin SNMP support that can use phpsnmp, ucdsnmp, or netsnmp. A PHPbased poller is provided to execute scripts, retrieve SNMP data, and update your RRD files. Userbased management allows administrators to create users and assign different levels of permissions to the cacti interface. Permissions can be specified pergraph for each user, making cacti suitable for colocation situations. Cacti use the SNMP protocol to collect data from the device or remote server. The value of each parameter from the cacti suggestion. When the prompt "Enter password" appeared press "enter" to login. Then Flush Privilege and exit from MariaDB console. The Cacti first installation page Login with username admin and password admin and cacti force you to change the default password. Change to your password Accept and "Begin" 1. Read an Agreement and Begin Checking the preinstallation check.

www.crossroadscounselingcenters.com/ckfinder/userfiles/files/comtrend-5071t-manual.pdf

You should get the result like this. Good! Ready to install Warning!!! If you get the result like this. You should to recheck your configuration in previous step Not Good. Try to check your configuration Select a New Primary Server and Next. New Primary Server and Next Directory Permission Check and Next. Directory permission check Required Binary Check and Next All Require Software Check Input Validation Whitelist Protection. Checked the "I have read this statement". Input Validation Whitelist Protection Setup the profile. I select a default cacti profile and disable "Scan Mode" to stop the automation. this option can be enabled after install Setup the profile Select all Template and Next Template Setup Database Collation and Next In this step should not display a warning message, I forget to capture this step. So, I use an old picture. Database Collation Click confirm and Next Your cacti server is now installing Installing cacti server Complete the install click "Get Started" Complete Success!!!! Login to your cacti with the username admin and your password. Your cacti is ready Set up the poller to collect data every 5 minutes. On Medium, smart voices and original ideas take center stage with no ads in sight. Watch Make Medium yours Follow all the topics you care about, and we'll deliver the best stories for you to your homepage and inbox. Explore Become a member Get unlimited access to the best stories on Medium — and support writers while you're at it. In Cacti version 0.8.7g, the only script which exists is one which copies an existing user in order to create a new one out of it. An equivalent to the Batch Copy functionality is not available for the command line interface. Lets assume that you need to add a large number of users to your Cacti system. You have two options for doing so Use the webbased user management page to create each user Use the Copy functionality to copy an existing user as a new user Both options involve quite a few manual steps.

Importing a list of users In order to reduce the manual work needed to create a large group of users within. Download the app today and. Find out more about the design, comfort and technology in C4 Cactus Hatch in these 10 short and explanatory videos. This C4 Cactus handbook presents you with the different equipment available on all of the Citroen C4 Cactus Hatch range. The equipment on your vehicle will vary depending on the trim level, version and UK specification. When the heart rate is detected data is displayed numerically. Press and hold the touch key for 2s to enter any interface of Data Reading. Press and hold 2s to exit the sports mode. Note The speed and distance of cycling can be displayed, but App needs to be connected and the cycling and App needs to start at the same time. When the Cactus X2Go memory is full, the user will be reminded to exit from sports mode. Click the touch key to accept the force quit 4 Reminder of inaccessible Sports Mode for low battery The reminder will occur when the user tries to start Sports Mode when the. To exit camera mode, press and hold the touch key on your X2GO, or exit through the app. Click the touch key to quit from

the reminder. Approved third parties also use these tools in connection with our display of ads. Sorry, there was a problem saving your cookie preferences. Try again. Accept Cookies Customise Cookies Please try again. These gorgeous, fashionable plants are handsome, hardy and perfect for urban living and this comprehensive companion is all you need to learn how to nurture and enjoy them, as well as how to stylishly arrange them in your home. Explaining how to look after individual plants, running through the soil, watering, light, food and more, this stylish go-to guide also shows you how to take cuttings to share with friends, make gifts, terrariums and displays, and other ways to make these fantastic plants part of your life.

Create a free account Buy this product and stream 90 days of Amazon Music Unlimited for free. Email after purchase. Conditions apply. Learn more In order to navigate out of this carousel please use your heading shortcut key to navigate to the next or previous heading. Then you can start reading Kindle books on your smartphone, tablet, or computer no Kindle device required. Get your Kindle here, or download a FREE Kindle Reading App. If you are a seller for this product, would you like to suggest updates through seller support Amazon calculates a product's star ratings based on a machine learned model instead of a raw data average. The model takes into account factors including the age of a rating, whether the ratings are from verified purchasers, and factors that establish reviewer trustworthiness. Please try again later. Amazon Customer 1.0 out of 5 stars Can find more info on the cover of real books. Would like money back. Sorry, we failed to record your vote. Please try again. Eliminate paper processes and reduce processing time with online applications, seamless connections for primary source verification, and effective communication with your providers. Connect with providers, committee review bodies, and others relevant to every step of the credentialing process. With Cactus credentialing software, you can But with Cactus credentialing, you can streamline data management processes and maximize productivity while enhancing communication with internal and external sources. You can trust the industry's leading credentialing software to help you maintain a flawless database that your organization will consider its go-to, primary source for information. Simplify and streamline the complicated and error-prone process of gathering data from providers. Eliminate duplication and data entry errors with batch operations. License Monitor effortlessly combs through websites you need to access for verification. Search results are returned directly to the credentialing tool.

With Cactus Exclusion Screening, you can compare providers in your Cactus database with those listed in the OIG, SAM, and state Medicaid databases. Create virtual committees and automate your committee review processes. Eliminate paper files and scheduling conflicts. Simply configure your affiliation letters just once, and free inquirer accounts can self-serve their verification requests in real time. Whether your community members need to locate a nearby provider, or pharmacists need to validate a controlled substance, you can use filtered views to provide the right information to the right people. Your response time is great, and everyone there is a pleasure to work with. ". Cacti provides a fast poller, advanced graph templating, multiple data acquisition methods, and user management features out of the box. All of this is wrapped in an intuitive, easy to use interface that makes sense for LAN-sized installations up to complex networks with hundreds of devices. Server installation instructions are found below. If this procedure doesn't work for you, try the previous procedure which is documented below. If the root password is blank, just hit enter and continue. To install Cacti install the cacti package from the Universe Repository. You will be prompted for a password here, use the same password again you set during the installation of cacti. You can use the username Admin and any password you previously set for this account, if any. The fault password should be admin. Upon logging in you'll most likely be forced to change your password for security purposes. 8. You should now be logged into cacti, if you need further assistance from here, it most likely won't be Ubuntu specific so you should be able to refer to the generic guides on. This SQL query is just broken though it may be the log process munging the report of the query being attempted rather than the query itself. I was able to clear this error by running `sudo apt-get remove cacti` and

installing 0.8.

6i manually. I think the package currently installs 0.8.6h CategoryNetworking. Cacti designed as the PHP frontend application for the RRDtool RoundRobin database tool, it allows a user to poll the services at an interval of time and resulting in the graph format. Cacti is generally used to get a graph data for the CPU and network bandwidth utilization, it monitors the network traffic by polling a router or switch via snmp. Before installing cacti, first we need to install apache with php, mysql, SNMP and RRDtool.Cacti console screen Thanks for reading this article. If you get this article helpful, please don't forget to share it. More information about cacti, see [HERE](#).Awesome Tutorial BTW.Learn how your comment data is processed. If you did not migrate your account yet, visit [The frontend is completely PHP driven](#). Along with being able to maintain Graphs, Data Sources, and Round Robin Archives in a database, cacti handles the data gathering. There is also SNMP support for those used to creating traffic graphs with MRTG.For instance, if a user would want to graph the ping times to a host, you could create a data source utilizing a script that pings a host and returns its value in milliseconds. After defining options for RRDTTool such as how to store the data you will be able to define any additional information that the data input source requires, such as a host to ping in this case. Once a data source is created, it is automatically maintained at 5 minute intervals.Cacti allows you to create almost any imaginable RRDTTool graph using all of the standard RRDTTool graph types and consolidation functions. A color selection area and automatic text padding function also aid in the creation of graphs to make the process easier.This would allow someone to create some users that can change graph parameters, while others can only view graphs. Each user also maintains their own settings when it comes to viewing graphs.

This allows the creation of a single graph or data source template which defines any graph or data source associated with it. Host templates enable you to define the capabilities of a host so cacti can poll it for information upon the addition of a new hostThis can either be MySQL or MariaDB This is needed in order to have access to the Cacti addons. See [example](#)You will see the license. ProceedThis page has been accessed 64,399 times.

<https://www.becompta.be/emploi/3m-dynatel-950adsl2-plus-manual>