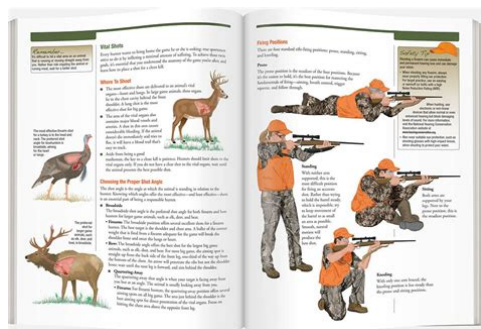


# California hunters education manual



**File Name:** California hunters education manual.pdf

**Size:** 4475 KB

**Type:** PDF, ePub, eBook

**Category:** Book

**Uploaded:** 21 May 2019, 13:50 PM

**Rating:** 4.6/5 from 689 votes.

**Download Now!**

Please check the box below to proceed.



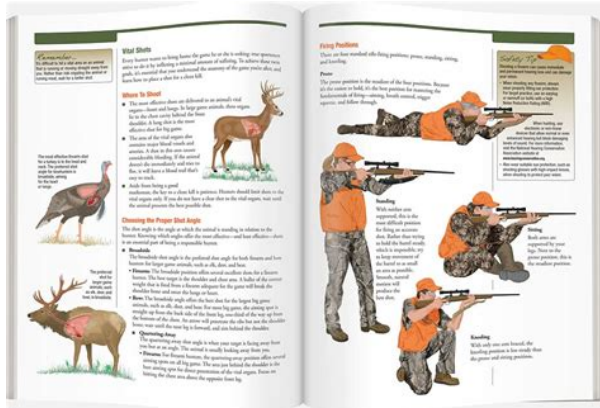
I'm not a robot



reCAPTCHA  
Privacy - Terms

## Book Descriptions:

# California hunters education manual



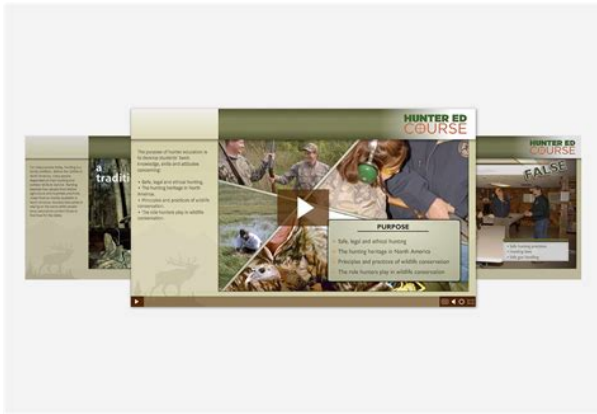
Upgrade to a different browser or install Google Chrome Frame to experience this site. This manual introduces you to U.S. hunting regulations and provides general information about firearm equipment, basic shooting and hunting skills, ethics and safety, survival skills, and wildlife identification. Whether you're exploring Redwood National Park, Lake Shasta, the Yolla Bolly Wilderness, or the wellnamed Goose Lake, you're bound to have a good time. Seek out targets including the Chukar partridge, wild pigs, pronghorn antelope, and bighorn sheep. Hunting safety is everyone's responsibility. With a safety course, hunters of all ages can become more successful and ethical hunters. Become a safer hunter today! Kalkomey produces print and Internet courses that have provided official safety education since 1995. Kalkomey offers safety courses in boating, hunting, bowhunting, and offroad vehicle and snowmobile operation. View press releases. What Would You Think if This Was Your Land Both rifles Highpower firearm that fires bullets, and is braced against the hunters shoulder when fired. Generally much less powerful than rifles, and generally has a smooth bore. Each of these types of firearms Tool that uses the force of burning gunpowder to send a projectile toward a target. The stock may be a single piece or two pieces, depending on the manufacturer. Can be loaded with multiple pellets or a single slug as the projectile. The inside of the barrel is called the bore. In the image above the rifle uses an open sight. Other types of sights include shotgun bead, peep or aperture and telescopic. This is where the projectile exits after it has been fired down the barrel. Become a volunteer hunter education instructor and help pass on California's hunting tradition to the next generation. As an Instructor, you will be eligible for the Instructor Incentive

Program. <http://bolshunoff.ru/images/wysiwyg/digiquest-6300-manuale-d-uso.xml>

- **1.0, california hunters safety manual.**



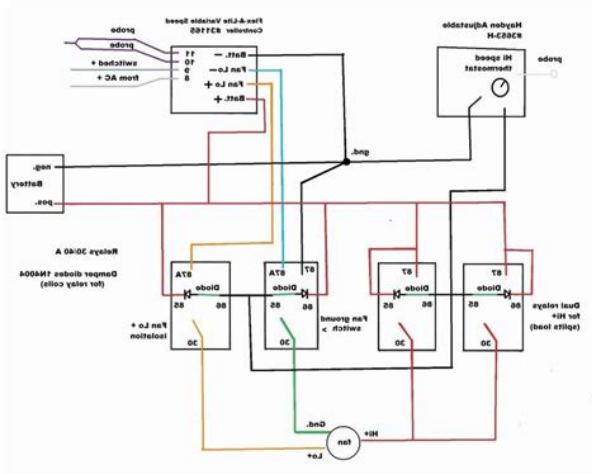
This program is for Instructors only and consists of numerous hunting opportunities including wild pig hunts, X Zone deer tags, and the chance at an open zone deer tag. Sea un instructor de la Educacion del Cazador. El California Department of Fish and Wildlife solicita instructores de caceria responsable. Eres aficionado a la caceria. Desea pasarle a la siguiente generacion la tradicion de la caceria. Hunter Education Instructor Incentive Program CCR T14709 Eligible certified hunter education instructors may participate in the Incentive Program drawings for highly desirable hunting opportunities. CDFW awards incentives, which may include big game tags provided voluntarily by licensed private lands management areas, cooperative elk or deer hunting areas, or other hunts designated by CDFW. Instructors who accept a tag are required to pay the applicable tag fees set forth in the Fish and Game Code or California Code of Regulation Title 14. Hunters make this annual pilgrimage to woods and water so that they can experience the natural world and be an active participant in it. These courses have contributed to a significant decrease in hunting accidents and an increased understanding of the responsibilities each hunter accepts while hunting. Equally important is the safe use and handling of firearms and the ethical and responsible behaviour of all hunters. The Hunter Education Course is a comprehensive 8hour course and is available in almost every community across Manitoba. Simply sign up with one of the instructors below to take a class. If they are successful they will receive their Apprentice Hunter Education Certification Card. This allows them to hunt game birds and wild turkey under a shared bag provision provided Log in and study at your own pace. The course saves your progress wherever you leave off. Once you have completed the onlineonly hunter education course, you can print out your permanent hunter education card.<http://www.yumeguri.jp/userfiles/digiquest-8310-manual.xml>



Our courses consistently receive the highest level of approval from both agencies and hunters. If you took the Online Hunter Safety Course previous to January 1st, 2019 and have yet to complete your testing, you will be required to take the class again. This course does NOT qualify for a Federal Firearms License such as a Possession and Acquisition License PAL Please keep in mind that most instructors will likely put your name on a waiting list. They will notify you regarding date and location once they have enough candidates. Upon successful completion of this course, students will be provided with necessary the documents to apply for their Wildlife Resources Card. Once obtained, a Wildlife Resources Card allows the holder the privilege to purchase a Nova Scotia hunting licence. It is anticipated to be back online for summer 2020. We encourage you to check back often for updates. If you wish you can add yourself to our waitlist and we will attempt to contact you once the system comes back online. If you prefer you can take the program online at the following website you will be required to attend a testing session at a Lands and Forestry office to aTTAIN full certification for Nova Scotia By the end of the course, successful students will be knowledgeable in ecology and wildlife management concepts, ethics and responsible hunting practices, hunting laws and regulations, hunter survival skills and techniques, as well as being familiar with the equipment required by law to hunt in Nova Scotia. Site Design by Arbuckle Media. Description There are two parts to the course The Conservation Education Card is recognized by other provinces and states as proof of having taken hunter education training. For further information visit the RCMP web site at. Please check back for updated information. Learn about online hunter education courses, as well as other options.

Individuals participating in the Hunter Education Deferral Program are exempted from this requirement for one year. Hunter education training certificates can be from Washington or another state. Please note that an outofstate license is not the same as a hunter education certificate. This format is recommended for young students and people seeking a classroom experience. The online class is a student driven interactive web tool teaching the same content as the traditional course. After successfully completing the online class, students must complete a fourhour field skills evaluation class with certified instructors. The online class and the field skills evaluation class together make up the online course. Interested in becoming an instructor. Learn about the requirements and how to sign up. Find information on Bowhunter Education. To learn more, please visit this page. As a current or future hunter or target shooter, you likely have, or will have, firearms in the home. The Wildlife Heritage Act of 2007 provided a mentor provision for hunter education. Hunters under supervision MUST be under normal voice control, not to exceed 30 feet away from a properly licensed hunter 21 years of age or older.If you are under 16 years of age, you must have either successfully completed a Basic Hunter Education course or be under the direct immediate supervision of a licensed hunter who is a 16 years of age or older and has successfully completed a certified hunter education course, OR b born on or before January 1, 1986. If you are 16 years of age or older AND were born after January 1, 1986 you must have successfully completed a Certified Hunter Education Course before you can hunt. In addition, all hunters must complete a Hunter Education Certification class before hunting in these areas. Hunters in weapons restricted areas

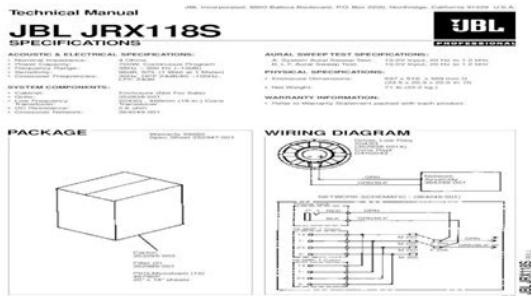
archery, muzzleloading, or shotgun must complete a stateapproved certification course for that weapon.



<http://fsc1.ru/content/3m-manual-roller-mr1>

Weapons certification does not satisfy general Hunter Education Certification requirements and visa versa. Beginning July 1, 2016, if you were born on or after January 1, 1986 you must have successfully completed a department approved bowhunter education certification course to hunt big game with archery equipment and the certification card must be carried in the field when hunting. All hunters participating in archeryonly hunts must obtain bowhunter education certification. Connecticut Previous resident bowhunting license does not qualify. Delaware However, a hunter education course is not required to purchase a one 1 day or seven 7 day hunting license. Hunters age 1215 must complete a hunter education course before hunting unless under supervision of a licensed adult hunter. Hunters age 1215 must be under adult supervision while hunting on a WMA. Hunters under age 12 are not required to complete a hunter education course, unless hunting on National Wildlife Refuges NWRs, or Park Services lands, children 1016 must carry a valid hunter safety certificate. Hunter education is not required to hunt on ones own land or land of a parent or guardian. Idaho A card is not needed for purchase. Exceptions 1 Children under 12 may hunt without a card if accompanied by an adult. 2 Persons exempt from a hunting license are also exempt from hunter education card requirements i.e., landowners; military on furlough. 3 Persons with a Hunter Education Exemption Permit may hunt without a card while accompanied by a legal adult hunter. Louisiana Except, a person may hunt without hunter education if they are under the direct supervision of a person born before Sept. 1, 1969 who has a valid hunting license or under the direct supervision of a person 18 years of age or older who has proof of successful completion of a hunter education course. Minimum age for certification is 10 year of age.

<http://charlottemarquardt.com/images/bridge-maintenance-training-manual-fhwa-hi-94-034.pdf>



To obtain an adult archery hunting license, you must show proof of having held an adult license to hunt with bow and arrow in any year after 1979 or successful completion of an archery education course. To obtain a crossbow permit, you must complete crossbow education or have proof of having hunted in another state that allowed crossbow use. Maryland Three day nonresident waterfowl hunters are exempted. Massachusetts January 1, 1960. A hunter safety certificate or previous hunting license is required to purchase any Michigan Hunting License. Hunters anticipating an outofstate hunting trip need to obtain a certificate prior to their trip, most states require hunters to carry their certificate when hunting and need it to purchase a license. Mississippi Also, anyone 12-15 years old must have a certificate of satisfactory completion of a hunter education course approved by the department before hunting alone in this state. Anyone under the age of 12 must be in the presence and under the direct supervision of a licensed or exempt hunter at least 21 years of age when the child is hunting. Missouri Minimum age is 11 to be certified by the Missouri Hunter Education course, youth under 16 must provide birth certificate as proof of age at course. Any Missouri resident 16 years of age or older can take the course all online, those 15 years of age or younger must attend an inperson skills session. Both resident and nonresident youth may purchase deer and turkey permits at a much reduced cost, small game may be hunted without permit. Adult resident and nonresident hunters can purchase an Apprentice Hunter Authorization good for 1 full year with their permits and then hunt in the immediate presence of a properly licensed adult mentor hunter 18 years of age or older or age exempt mentor can do this for two years maximum. Resident hunters 16 and older with a developmental disability as outlined by section 630.

<http://chateau-malbrouck.com/images/bridge-manuals.pdf>





005, RSMo and fail to successfully pass the hunter education course, may apply for an exemption to always hunt in the immediate presence of an properly licensed adult hunter. Resident landowners hunting on their own property only, with a landowner permit landowners mentoring those not eligible to hunt on a landowner permit must have Hunter Education. Anyone born before January 1, 1967. We honor cards from all states and provinces. Nebraska Hunters, age 12 through age 29, must have on their person, proof of completion of Firearm Hunter Education while hunting with either a firearm or air gun. Hunters, age 12 through age 29, hunting deer, antelope, elk or mountain sheep with bow and arrow or crossbow must carry proof of completion of Bow Hunter Education. Apprentice Hunter Education Exemption Certificate In Nebraska any firearm or air gun hunter under age 12, or those hunters age 12 through age 29 using an apprentice hunter education exemption certificate, must be accompanied at all times while hunting. Please note that all hunters must also purchase and have on their person any and all required permits, licenses and stamps while hunting in addition to meeting the hunter education requirements. Proof of Hunter Education is An official original or duplicate Hunter Education certificate, or a past years hunting license with a Hunter Education number or unique mark verifying Hunter Education. New Hampshire Hunters and trappers in New Hampshire must attend training courses specific to the license type they wish to purchase. By state law, anyone planning to buy a basic hunting license, archery license or trapping license must complete the respective hunter, bowhunter or trapper education course. Individuals may purchase each of these licenses by showing a certificate of completion from the appropriate course, or a previously issued license of the same type. New Jersey It is unlawful for any person age 10 or older to hunt without a hunting license.

It is unlawful for any person age 12 or older to trap without a trapping license. An Apprentice License allows a new hunter or new to hunting with a particular sporting arm to participate in the sport but does not require completion of a hunter education course. However, an apprentice MUST hunt under the direct supervision and guidance of a hunting mentor, hunting together as a unit in the same location. Mentors must be 21 years of age or older and must possess a valid NJ Hunting License for the weapon type being used. Both residents and nonresidents are eligible. Individuals are limited to two apprentice licenses per weapon type per lifetime. The Apprentice License An archery Apprentice License holder There are no free youth apprentice licenses. Apprentice license

holders are NOT eligible for a Bear Permit, Rifle Permit or Muzzleloader Deer Permit and may not hunt with any type of rifle. An air gun is not considered a rifle. Apprentice hunters must ALWAYS hunt under Apprentice hunters must adhere to hunting laws, regulations and must purchase all hunting permits, stamps or the HIP certification, as required. For more information pertaining to the Apprentice Hunting License visit Bliss military installations are required to have hunter education. Bow Hunter Education is not mandatory, but is highly recommended. New York North Carolina North Dakota A certificate of completion for the same course of study issued by other states, provinces or countries is valid in North Dakota. Ohio Proof of hunter education is carry a hunter education certificate or having hunter education certification printed on a valid hunting license. Pennsylvania Rhode Island South Carolina South Dakota Proof of certification or deferral is required to be on your person while hunting. Minimum age of certification is 9 years. Persons 17 years of age and older have the option of taking a course in person or online. The cost of an approved online course varies by provider.

<http://www.siscard.com/wp-content/plugins/formcraft/file-upload/server/content/files/1626f590369345---bosch-wfl-1800-washing-machine-manual.pdf>

Visit TPWD web site for information about various course options. If you were born on or after Sept. 2, 1971, and you are. A deferral may only be obtained once and is only valid until the end of the current license year. Proof of certification or deferral is required to be on your person while hunting. Note Certification is NOT required to purchase a hunting license. Note Bowhunter education does NOT substitute for Hunter Education certification. Utah Hunter Education is not required for those purchasing an apprentice license, but they must be accompanied and supervised by a licensed adult. Likewise, those under 12 must be accompanied and supervised by a licensed adult. Washington Anyone 14 and older can challenge the First Time Hunter Test or take the Hunter Education course. British Columbia At 18 years of age, the Conservation and Outdoor Education CORE program, BC hunter education program is mandatory. All youth under 18 years of age must be accompanied by a licenced adult hunter. Non residents hunting big game must be accompanied by a licenced guide. No education course required to get a nonresident hunting licence. All firsttime hunters including bowhunters must show proof of having taken the Manitoba Hunter and Firearm Safety Course OR a similar course from another province or state. Hunter Education became mandatory in Manitoba in 1969, therefore anyone purchasing a hunting license who was not 19 years of age in 1969 and had not previously held a hunting license, must have the Hunter Education training requirements. Newfoundland and Labrador. Nova Scotia Northwest Territory Bow hunters are also required to complete a Bow Hunter Education course. Conservation Education certificates from other states or provinces are recognized by New Brunswick. Nunavut Minimum 20 hours of instruction.

<http://bacvietexpress.com/upload/userfiles/files/boss-js-10-owner-s-manual.pdf>

The Hunter Apprenticeship Safety Program HASP allows residents 12 yrs and older to participate under the direct and immediate supervision of a qualified mentor following the successful completion of a hunter education course and examination. Participants must share one firearm and have parental consent if under the age of 16. Quebec To trap, residents must have successfully completed an approved Trapper Education course. The requirements to obtain a hunters or a trappers certificates are be a Quebec resident, be at least 12 years of age and not have had the said certificate suspended or cancelled following a Court conviction. Anyone under the age of 16 for bow or crossbow hunting, and 18 for firearm hunting, must be accompanied by a person 18 years of age or older who is the holder of a hunters certificate appropriate with the arm used or a nonresidents hunting license. Prince Edward Island September 1, 1968 are required to successfully complete a Non Residents that wish to hunt big game in the Yukon are required to be guided by a registered Yukon Outfitter or by a Yukon Resident holding a Special Guide License. Bison, goat, sheep, elk, deer, and wolverine may not be hunted under a Special Guide Licence. Other restrictions may apply.



A guide licence Licences are valid until the August 31 st following the date of issuance, and must be renewed annually. Government issued documentation is required as proof at the time of application. Proof is required. You If you are currently under suspension, you must wait until your hunting licence privileges have been reinstated before you can apply for a hunting guide licence or; As a licenced guide, you are exempt from writing the exam. Here is some important information You can review the exam If you hold a valid hunting guide licence from another Canadian jurisdiction, an exam is not required. COVID19 Get the latest updates or take a selfassessment. JavaScript is required to view this site Ontario.

ca needs JavaScript to function properly and provide you with a fast, stable experience. To have a better experience, you need to Go to your browsers settings Enable JavaScript JavaScript est necessaire pour ce site Le site Ontario.ca exige JavaScript pour fonctionner comme il faut, avec rapidite et stabilite. Learn about the browsers we support. Vous utilisez un navigateur desuet qui n'est plus accepte par Ontario.ca. Les navigateurs desuets ne disposent pas de caracteristiques securitaires permettant d'assurer la securite de vos renseignements. En savoir plus sur les navigateurs que nous supportons. Please try again. Please try again. Then you can start reading Kindle books on your smartphone, tablet, or computer no Kindle device required. In order to navigate out of this carousel please use your heading shortcut key to navigate to the next or previous heading. Register a free business account If you are a seller for this product, would you like to suggest updates through seller support To calculate the overall star rating and percentage breakdown by star, we don't use a simple average. Instead, our system considers things like how recent a review is and if the reviewer bought the item on Amazon. It also analyzes reviews to verify trustworthiness. We often have loaner guns available for those who have not yet purchased a firearm for hunting — a good opportunity to try before you buy. Many workshops and clinics include sessions on hunting skills, as well as on game processing and cooking. For events that include hunts, we often have loaner gear. We've got tips here. While Hunter Ed must be completed in person, there's no reason not to do extra studying in advance. Some hunter education events include hunts — a great chance to give hunting a try with a minimal investment of money and time. We have a variety of mentored hunts. Courses are taught in highly supportive and safe environments.

It's ideal for women who feel intimidated learning in a mixed environment, or who simply enjoy women's outings. All camps serve kids ages 10 to 17. This camp includes hunter education. In November, they will return for an overnight stay and guided hunt in the marsh followed by game preparation and cooking demonstrations. Participants will hunt both Saturday and Sunday mornings with volunteer mentors. Loaner gear is available but hunting licenses and duck stamps are required prior to attending. Proof of Hunter Education is an official Hunter Education card or certificate from any state or Canadian province, with the Hunter Education number and state or provincial logo or seal or a previous years hunting license with the Hunter Education number or mark. Students 11 years of age and older can get certified online. Students under the age of 11 must attend a Nevada Hunter Education course. The course consists of independent home study and an inperson certification class. Students have three options for meeting the home study requirement; complete the Today's Hunter workbook or complete the required work online. The workbook and Today's Hunter Nevada student manual reference for completing the workbook may be obtained free from any NDOW office. Students must bring their completed workbook or Nevada Online Course Completion Confirmation printed off the huntered.com website upon successful completion to the class to gain admittance. Click the link to your Region to find a class near you. Early signup is encouraged. Remember, the workbook or online course must be 100% complete before attending the class. However, students under the age of 11 are required to attend with an adult. The parents or guardians of minor students are required to check in the minor students with NDOW instructors at the beginning of class and pickup their students from the instructors at class end. Under no circumstances are minor students to be dropped off or picked up without notifying the instructors.

Parents or guardians are also solely responsible for student transportation and should notify the instructors at the beginning of class if someone other than a parent or guardian is picking up the student after class. The contact information for each region can be found at the bottom of this page. Some enhanced features will not be available until JavaScript is enabled. Upon completion of the course, students will receive a voucher, which is good for eighteen months, to take a field day workshop to satisfy the hunter education requirement. Any field day voucher issued between March 1 and May 11, 2020 will receive an automatic sixmonth deadline extension whenever the department resumes field day workshops. Students must attend all sessions of the class to pass. Most courses require that youngsters under the age of 14 be accompanied by a participating adult. Students must also demonstrate to the instructor that they are responsible and the mature. When registering by phone for a class, remember, you are contacting a volunteer instructor at his or her home and you should be considerate concerning the time of day you call. Specific hours to call and not to call may be indicated on the course schedule. In 1977, the Maryland legislature made it mandatory for all firsttime hunters to complete a hunter education course. The Apprentice Hunting License is a onetime license available to both residents and nonresidents who have never hunted before. Satisfactory completion of a short, online hunter safety course is required prior to purchasing the license and the apprentice hunter is required to hunt with a resident at least 18 years old who possesses a valid Maryland hunting license. For more information. Competency in Firearms and Hunter Safety. It is solely at the discretion of the CORE examiner if they choose to provide any level of service.

CORE examiners are independent subcontractors who make their own schedules and will determine, at their sole discretion, for the health and safety of themselves and their family, if they choose to provide any service at this time. If you are 18 years of age or older and you are a BC resident, you are required to complete the CORE program if you wish to obtain a hunting licence. Please see our Examiner list. This program is a requirement before applying to obtain a Federal Firearms Licence PAL. Examiners offering CORE Courses should provide complete examination preparation and may make arrangements for testing by CORE Examiners. Course fees may vary with these independent courses. Until both exams have been successfully completed, the registration form should be kept to be shown to an examiner each time an examination is taken. Supplemental information from the CORE Manual is not tested. Upon completion of the test, the examiner will provide you the results. A failed exam must be retaken on a date other than the day the test was failed. The examiner will provide the firearms. FrontCounter BC and Service BC both offer hunting services and can create a FWID. Hunters can also apply for a FWID online. There is no cost for the FWID. Before a FWID is issued, you will have to prove that you are a BC resident and that you meet the minimum age requirements. The CORE Examiners provide the written exam and practical firearms handling exam. Please contact the examiner prior to 900 PM. A graduation certificate will be mailed to the student. If the administrative fee is paid by cheque please make it payable to the BC Wildlife Federation. Students should ask what is included in the course fee. NASP BC Ways to Give Membership. View and sign up for internet based courses here. Students certify in both hunter and bowhunter education. Students certify without attending a field day. Take the Official Idaho Bowhunter Safety Course Online.

To buy an archery permit, all bowhunters must possess a valid hunting license and show proof they have completed an approved bowhunter education course or show evidence of having been licensed for an archeryonly hunt in Idaho or another state, or complete an affidavit to that effect. Learn more about the Wolf Trapper Education Course. Anyone intending to trap wolves must attend wolf trapper education prior to purchasing wolf trapping tags. Therefore, anyone intending to trap wolves that did not hold an Idaho trapping license prior to 2011 is required to take both trapper and wolftrapper education. Classes include handson training taught by seasoned sportsmen and women. But not to worry, completing an online course will allow students to receive their certification, purchase their

license, and hunt this fall. The temporary waiver allows students who complete the online course the ability to gain certification and purchase a hunting license. How can I replace it. The ancestors of today's human populations ensured our survival by hunting for food and clothing. For many, it is still an important method of food gathering. For others, hunting is a recreational activity that provides an opportunity to further friendships and camaraderie, an opportunity to experience nature and relax in the outdoors and to make an important contribution to conservation. The program provides introduction information about New hunters of all ages must take hunter education training and pass an exam before they can purchase their first hunting license. If you intend to go bowhunting only, then taking the 1st portion CFSC of the OneStop program is not mandatory. The selfstudy guide, titled Today's Hunter in Missouri, is one of three ways to do that. Browse our Hunter Education Requirement page for details about completing the knowledge part of our hunter education program online or in a classroom session. Regardless of order method, all study guides will be shipped via regular mail.

<https://formations.fondationmironroyer.com/en/node/8375>